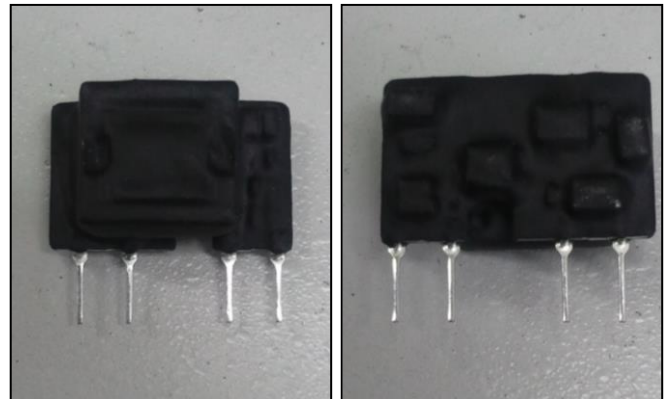


PD0412S DC-to-DC Converter Modules

Special Features

- Small multi-purpose power supply
- Wide Input Range
- Isolated output
- Short circuit protection
- Over voltage protection
- Thermal shutdown



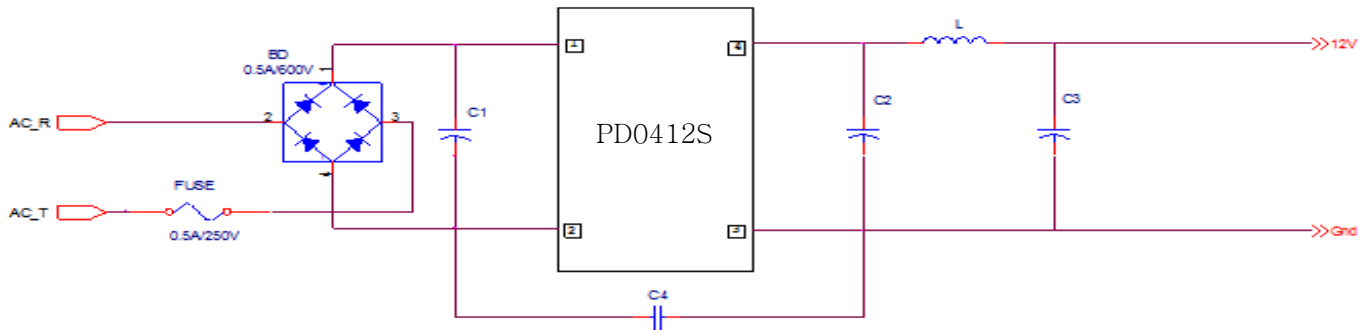
Electrical Characteristics

Characteristics		Condition	Min.	Typ.	Max.	Unit
DC Input	Input Voltage Range	$I_o=300\text{mA}$	120	311	375	V
	Current	$V_i=311\text{V}, I_o=300\text{mA}$	-	-	0.1	A
DC Output	Output Voltage	$V_i=311\text{V}, I_o=0\sim 300\text{mA}$	11.4	12.0	12.6	V
	Output Current	$V_i=311\text{V}, V_o=12.0\text{Vdc}$	-	-	300	mA
	Line Regulation	$V_i=120\sim 375\text{V}, I_o=300\text{mA}$	-	-	0.2	V
	Load Regulation	$V_i=311\text{V}, I_o=0\sim 300\text{mA}$	-	-	0.3	V
	Ripple Voltage	$V_i=311\text{V}, I_o=300\text{mA}$	-	-	0.2	Vp-p
	Efficiency	$V_i=311\text{V}, I_o=300\text{mA}$	-	70	-	%
Power Consumption	No Load	$V_i=311\text{V}, I_o=0\text{mA}$	-	-	0.3	W
	Full Load	$V_i=311\text{V}, I_o=300\text{mA}$	4.5	5.0	5.5	W
Ambient Temperature	Operating Range	$V_i=311\text{V}, I_o=300\text{mA}$	-10	-	70	°C
	Storage Range		-20	-	105	°C

Notes

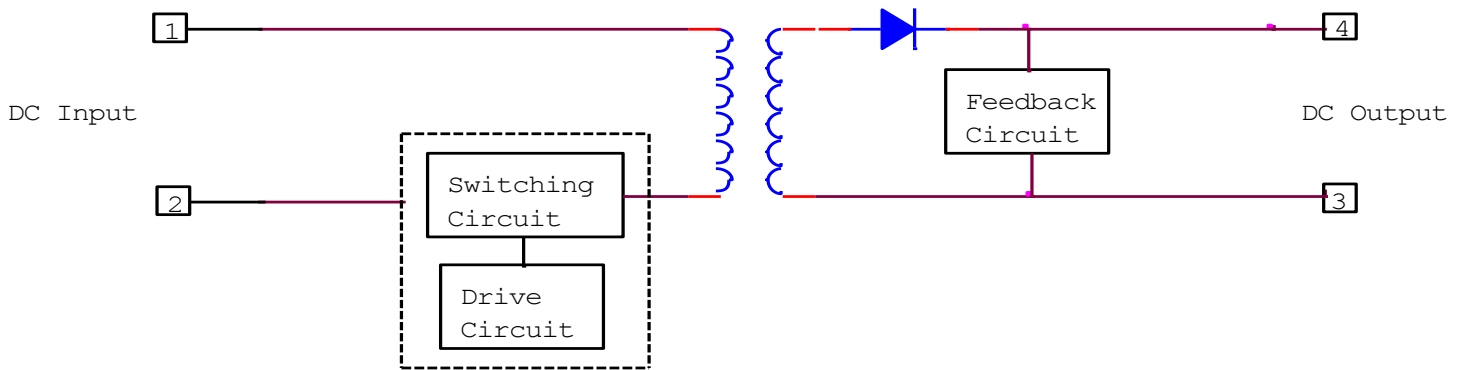
(1) For cases where the conformance to various safety spec is required, input voltage range will be 120~375V

Application Circuit

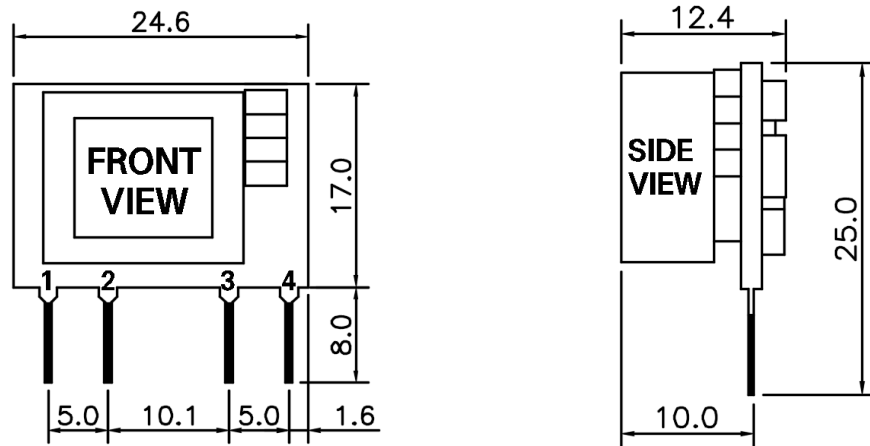


C1	6.8uF/400V Higher Electrolytic Condenser	C4	1NF / Y-Capacitor
C2	220uF/50V Higher Electrolytic Condenser (Low ESR Condenser)	L	7uH Inductor
C3	47uF/50V Higher Electrolytic Condenser (Low ESR Condenser)		

Block Diagram



Dimension



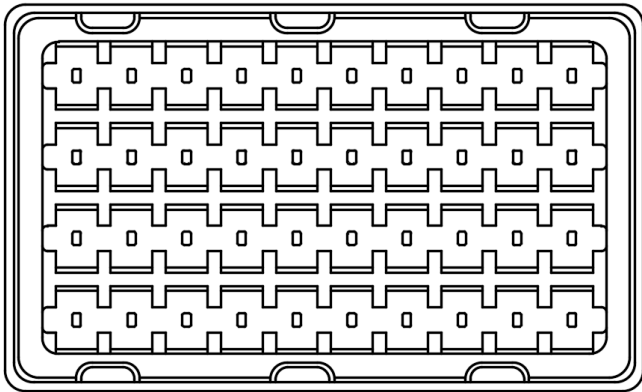
Pin No.	Description
1	DC INPUT (+)
2	DC INPUT (-)
3	GND
4	DC OUTPUT(+)

Notes

- 1.Dimension in mm
- 2. PIN : Ø 0.6

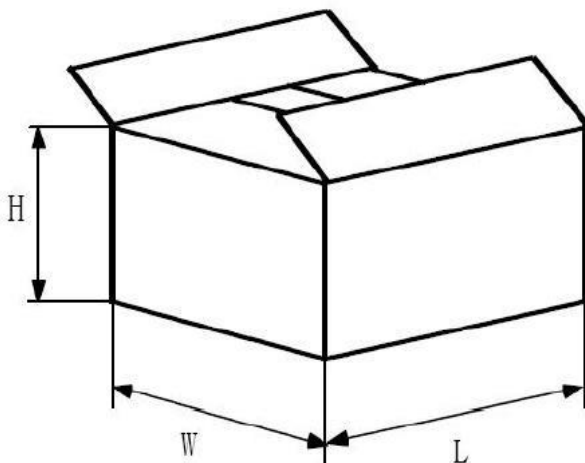
■ Packing Specification

1. Inner Box



Matter	PET
Quantity	80 pcs (4 X 20)

2. Output Box



L	460
W	390
H	225
Quantity	2000EA
Marking	1. Maker 2. Part Number 3. Quantity

* Unit : mm

POWERGEN Co., Ltd.

67-13, Shinchon-dong, Changwon si, Gyeongnam, S.Korea, 642-370

TEL : + 82 55 275 7801~4

FAX + : 82 55 275 2522

Homepage : www.pwrg.co.kr

Online shop : www.pwrgmall.co.kr

This semiconductor technical data is believed to be accurate and reliable, however POWERGEN does not assume any responsibility arising out of the application or use of any product or circuit described herein; neither does it convey any license under its patent rights nor the rights of others.

POWERGEN reserves the right at anytime without notice to change said circuitry and specifications.