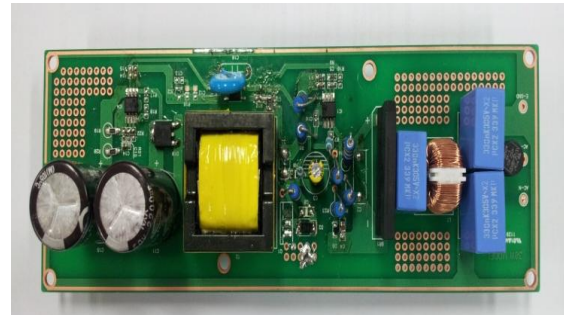


**GUARD LIGHT 30W**    Switching Mode Power Supply

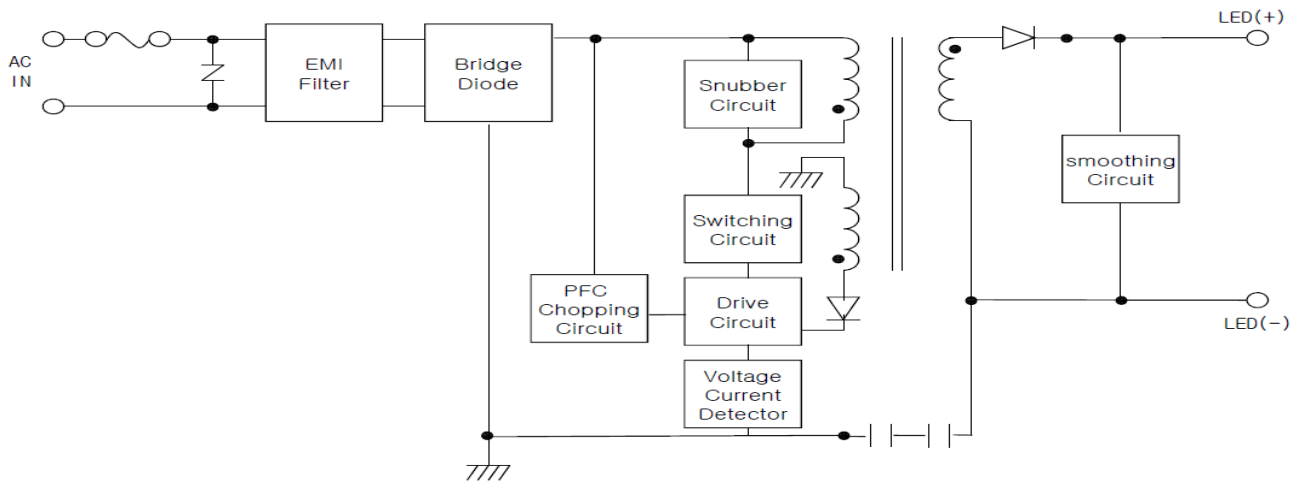
**■ Special Features**

- Wide Input Range
- Isolated output
- Short circuit protection
- Over voltage protection
- Thermal shutdown

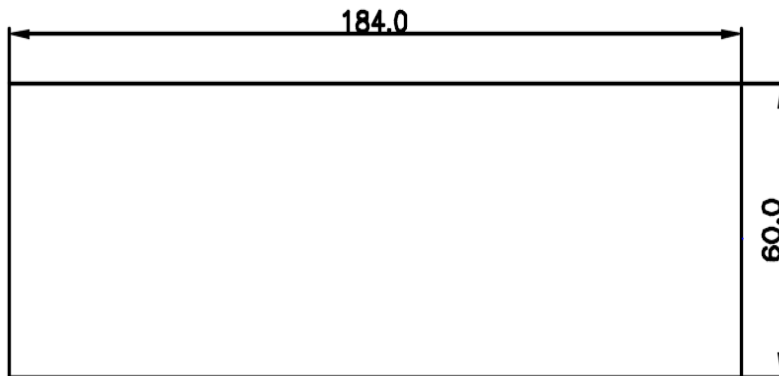

**■ Electrical Characteristics**

Characteristics		Condition	Min.	Typ.	Max.	Unit
Input	Input Voltage Range	Vin=220V, ILED=650mA	200	220	240	V
	Input Power	Vin=220V, ILED=650mA	34.0	36.0	38.0	W
	Input Current	Vin=220V, ILED=650mA	180	-	-	mA
Output	Output Voltage	Vin=220V, ILED=650mA	39.0	41.0	43.0	V
	Output Current	Vin=220V, Vout=41.0V	-	650	-	mA
	Power Factor	Vin=220V, ILED=650mA	-	75	-	%
	Efficiency	Vin=220V, ILED=650mA	-	78	-	%
Ambient Temperature	Operating Range		-10	-	70	°C
	Storage Range		-20	-	105	°C

■ **Block Diagram**



■ **DIMENSION**



Notes

1. Dimension in mm

POWERGEN Co., Ltd.

67-13, Shinchon-dong, Changwon si, Gyeongnam, S.Korea, 642-370

TEL : + 82 55 275 7801~4

FAX + : 82 55 275 2522

Homepage : www.pwrg.co.kr

Online shop : www.pwrgmall.co.kr

This semiconductor technical data is believed to be accurate and reliable, however POWERGEN does not assume any responsibility arising out of the application or use of any product or circuit described herein; neither does it convey any license under its patent rights nor the rights of others.

POWERGEN reserves the right at anytime without notice to change said circuitry and specifications.