

DL 14W Switching Mode Power Supply

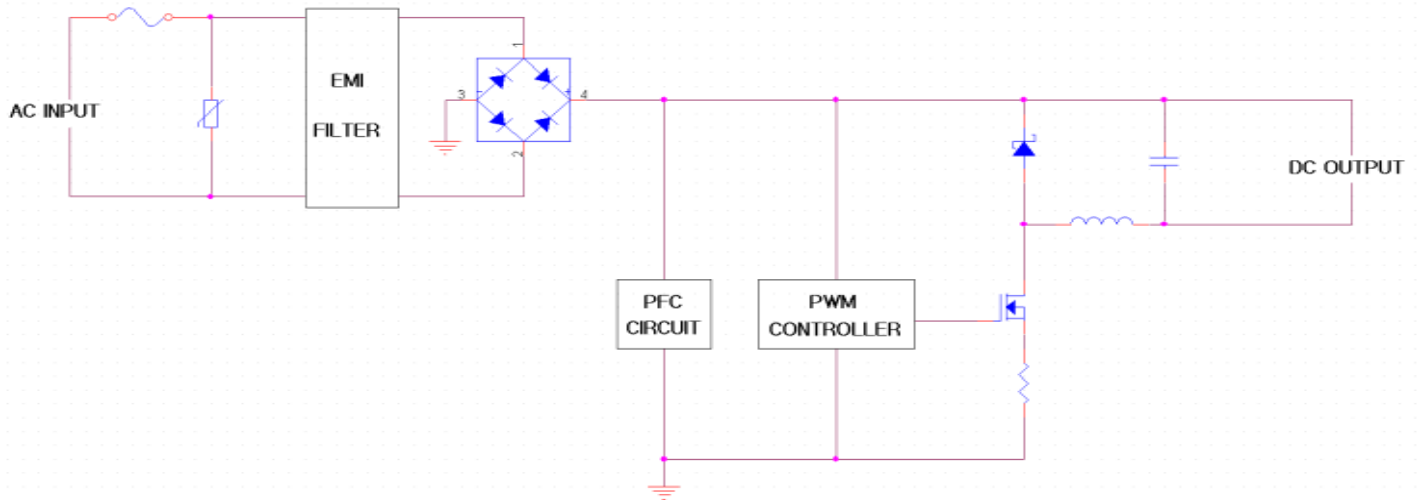
Special Features

- Wide Input Range
- Isolated output
- Short circuit protection
- Over voltage protection
- Thermal shutdown

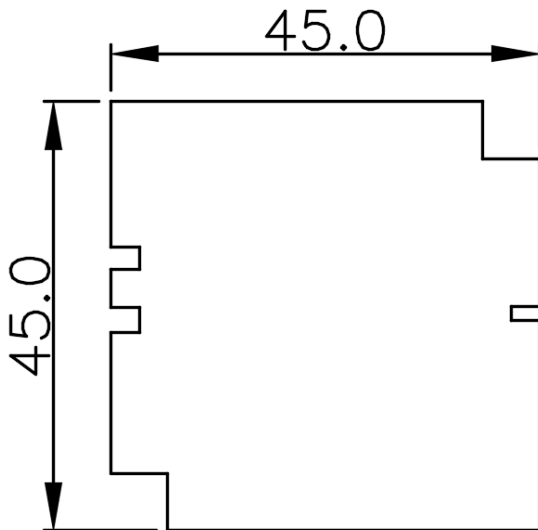

Electrical Characteristics

| Characteristics | | Condition | Min. | Typ. | Max. | Unit |
|---------------------|---------------------|----------------------|------|------|------|------|
| Input | Input Voltage Range | Vin=220V, ILED=150mA | 200 | 220 | 240 | V |
| | Input Power | Vin=220V, ILED=150mA | 10.8 | 12.0 | 13.2 | W |
| | Input Current | Vin=220V, ILED=150mA | - | 64 | - | mA |
| Output | Output Voltage | Vin=220V, ILED=150mA | 69.3 | 73.0 | 76.7 | V |
| | Output Current | Vin=220V, Vout=73.0V | - | 150 | - | mA |
| | Power Factor | Vin=220V, ILED=150mA | - | 90 | - | % |
| | Efficiency | Vin=220V, ILED=150mA | - | 86 | - | % |
| Ambient Temperature | Operating Range | | -10 | - | 70 | °C |
| | Storage Range | | -20 | - | 105 | °C |

■ **Block Diagram**



■ **DIMENSION**



Notes

- 1. Dimension in mm

POWERGEN Co., Ltd.

67-13, Shinchon-dong, Changwon si, Gyeongnam, S.Korea, 642-370

TEL : + 82 55 275 7801~4

FAX + : 82 55 275 2522

Homepage : www.pwrg.co.kr

Online shop : www.pwrgmall.co.kr

This semiconductor technical data is believed to be accurate and reliable, however POWERGEN does not assume any responsibility arising out of the application or use of any product or circuit described herein; neither does it convey any license under its patent rights nor the rights of others.

POWERGEN reserves the right at anytime without notice to change said circuitry and specifications.